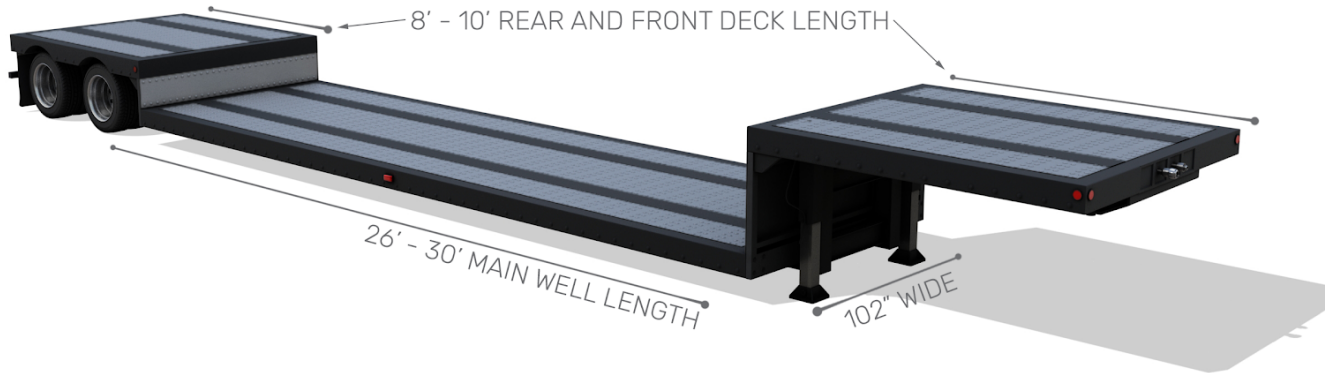


# DOUBLE DROP TRAILER

(LOWBOY)



Double drop semi trailers are designed to transport oversized freight, both legally and through the use of permits / escorts. Comprised of three decks: the upper, lower, and well. The low profile nature of the well allows for freight up to 12' high to be legally transported. With multiple trailer variations, such as an extendible deck, double drops allow for the transport of a wide array of oversized freight.

## DOUBLE DROP SEMI TRAILER DIMENSIONS

Length: Total	48'
Length: Main Well	26' - 30'
Length: Front/Rear Deck	8' - 10'
Width	102"
Height	18" - 24"

## DOUBLE DROP TYPICAL CARGO MAXIMUMS

Cargo Width	102"
Cargo Height	144" - 150"
Cargo Weight	40,000 lbs



**STREAM**  
LOGISTICS

[www.StreamLogistics.com](http://www.StreamLogistics.com)