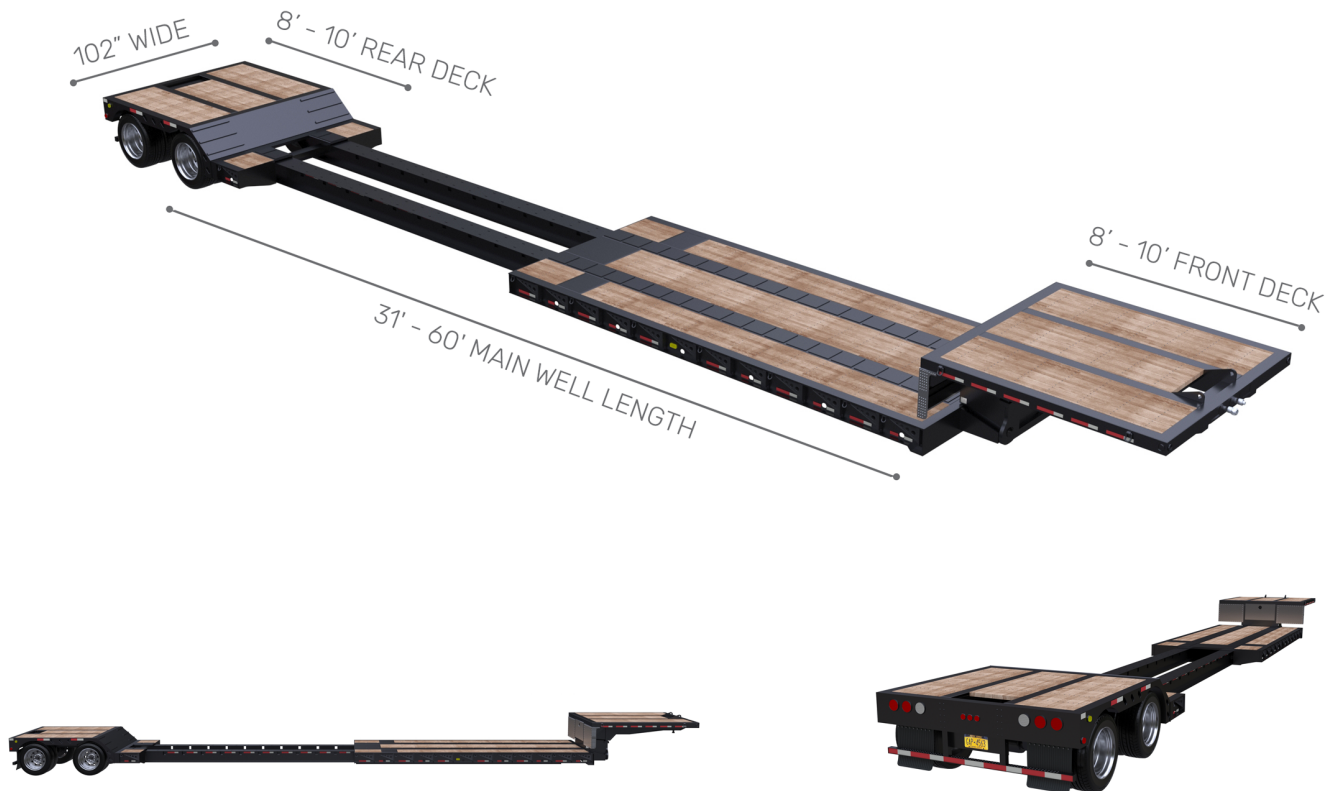


EXTENDABLE DOUBLE DROP



Extendable Double Drop trailers are designed to transport both legal and oversized (permitted, escorted) freight, and are specifically useful for commodities which are too long for the 'Well' of a standard Double Drop trailer. Extendable Double Drop's have the ability to extend out their 'Well' via two (2) bars, which allows longer commodities to be fully supported, length wise. Double Drops allow for the transport of a wide array of oversized freight which can be loaded and offloaded via a crane.

TRAILER DIMENSIONS		TYPICAL CARGO DIMENSIONS	
Length: Total	~ 80' (fully extended)	Cargo Length	60'
Length: Mail Well	31' - 60'	Cargo Width	102"
Length: Rear Deck	8' - 10'	Cargo Height	144" - 150"
Width	102"	Cargo Weight	40,000 lbs
Height	18" - 24"		



STREAM
LOGISTICS

www.StreamLogistics.com